

Metal
Grubu

Çelik
700-1000
N/mm²

Paslanmaz
Inox/Hardox

Döküm
700-1000
N/mm²

Aluminyum

Kesme Boyu
30mm

Bakır
Pirinç

HSS-Co 8 Kısa Matkap Ucu

- > 30 mm delme derinliği
- > 19 mm Weldon şaft (3/4")



HSS-Co 8 Kısa Matkap Ucu

- > 30 mm delme derinliği
- > 32 mm Weldon şaft (1 - 1/4")



HSS-Co 8 Serisi

Ø mm	Sipariş No	Ø mm	Sipariş No
12	KBK-Co 012	36	KBK-Co 036
13	KBK-Co 013	37	KBK-Co 037
14	KBK-Co 014	38	KBK-Co 038
15	KBK-Co 015	39	KBK-Co 039
16	KBK-Co 016	40	KBK-Co 040
17	KBK-Co 017	41	KBK-Co 041
17.5	KBK-Co 175	42	KBK-Co 042
18	KBK-Co 018	43	KBK-Co 043
19	KBK-Co 019	44	KBK-Co 044
19.5	KBK-Co 195	45	KBK-Co 045
20	KBK-Co 020	46	KBK-Co 046
21	KBK-Co 021	47	KBK-Co 047
22	KBK-Co 022	48	KBK-Co 048
23	KBK-Co 023	49	KBK-Co 049
24	KBK-Co 024	50	KBK-Co 050
25	KBK-Co 025	51	KBK-Co 051
26	KBK-Co 026	52	KBK-Co 052
27	KBK-Co 027	53	KBK-Co 053
28	KBK-Co 028	54	KBK-Co 054
29	KBK-Co 029	55	KBK-Co 055
30	KBK-Co 030	56	KBK-Co 056
31	KBK-Co 031	57	KBK-Co 057
32	KBK-Co 032	58	KBK-Co 058
33	KBK-Co 033	59	KBK-Co 059
34	KBK-Co 034	60	KBK-Co 060
35	KBK-Co 035		

HSS-Co 8 Serisi

Ø mm	Sipariş No	Ø mm	Sipariş No
61	KBK-Co 061	87	KBK-Co 087
62	KBK-Co 062	88	KBK-Co 088
63	KBK-Co 063	89	KBK-Co 089
64	KBK-Co 064	90	KBK-Co 090
65	KBK-Co 065	91	KBK-Co 091
66	KBK-Co 066	92	KBK-Co 092
67	KBK-Co 067	93	KBK-Co 093
68	KBK-Co 068	94	KBK-Co 094
69	KBK-Co 069	95	KBK-Co 095
70	KBK-Co 070	96	KBK-Co 096
71	KBK-Co 071	97	KBK-Co 097
72	KBK-Co 072	98	KBK-Co 098
73	KBK-Co 073	99	KBK-Co 099
74	KBK-Co 074	100	KBK-Co 100
75	KBK-Co 075	105	KBK-Co 105
76	KBK-Co 076	110	KBK-Co 110
77	KBK-Co 077	115	KBK-Co 115
78	KBK-Co 078	120	KBK-Co 120
79	KBK-Co 079	125	KBK-Co 125
80	KBK-Co 080	130	KBK-Co 130
81	KBK-Co 081		
82	KBK-Co 082		
83	KBK-Co 083		
84	KBK-Co 084		
85	KBK-Co 085		
86	KBK-Co 086		

KBK-Co Ø 12-60 mm için Merkezleme Pimi

Sipariş No

ZAK 075

KBK-Co Ø 61-130 mm için Merkezleme Pimi

Sipariş No

ZAK 090

Metal
Grubu

Çelik
700-1000
N/mm²

Paslanmaz
Inox/Hardox

Döküm
700-1000
N/mm²

Alüminyum

Kesme Boyu
55mm

Bakır
Pirinç

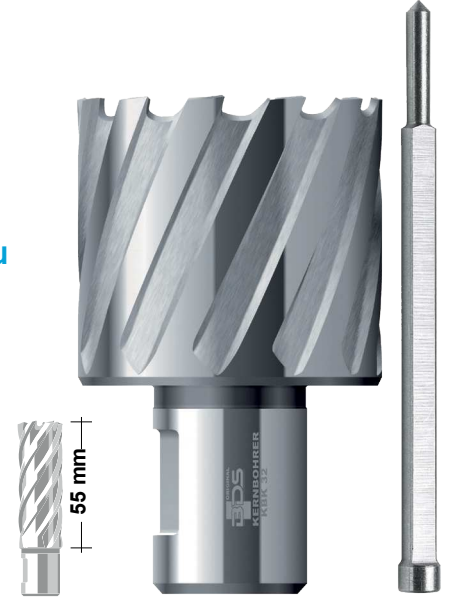
HSS-Co 8 Uzun Matkap Ucu

- > 55 mm delme derinliği
- > 19 mm Weldon şaft (3/4")



HSS-Co 8 Uzun Matkap Ucu

- > 55 mm delme derinliği
- > 32 mm Weldon şaft (1 - 1/4")



HSS-Co 8 Serisi			
Ø mm	Sipariş No	Ø mm	Sipariş No
12	KBL-Co 012	36	KBL-Co 036
13	KBL-Co 013	37	KBL-Co 037
14	KBL-Co 014	38	KBL-Co 038
15	KBL-Co 015	39	KBL-Co 039
16	KBL-Co 016	40	KBL-Co 040
17	KBL-Co 017	41	KBL-Co 041
17.5	KBL-Co 175	42	KBL-Co 042
18	KBL-Co 018	43	KBL-Co 043
19	KBL-Co 019	44	KBL-Co 044
19.5	KBL-Co 195	45	KBL-Co 045
20	KBL-Co 020	46	KBL-Co 046
21	KBL-Co 021	47	KBL-Co 047
22	KBL-Co 022	48	KBL-Co 048
23	KBL-Co 023	49	KBL-Co 049
24	KBL-Co 024	50	KBL-Co 050
25	KBL-Co 025	51	KBL-Co 051
26	KBL-Co 026	52	KBL-Co 052
27	KBL-Co 027	53	KBL-Co 053
28	KBL-Co 028	54	KBL-Co 054
29	KBL-Co 029	55	KBL-Co 055
30	KBL-Co 030	56	KBL-Co 056
31	KBL-Co 031	57	KBL-Co 057
32	KBL-Co 032	58	KBL-Co 058
33	KBL-Co 033	59	KBL-Co 059
34	KBL-Co 034	60	KBL-Co 060
35	KBL-Co 035		

HSS-Co 8 Serisi			
Ø mm	Sipariş No	Ø mm	Sipariş No
61	KBL-Co 061	87	KBL-Co 087
62	KBL-Co 062	88	KBL-Co 088
63	KBL-Co 063	89	KBL-Co 089
64	KBL-Co 064	90	KBL-Co 090
65	KBL-Co 065	91	KBL-Co 091
66	KBL-Co 066	92	KBL-Co 092
67	KBL-Co 067	93	KBL-Co 093
68	KBL-Co 068	94	KBL-Co 094
69	KBL-Co 069	95	KBL-Co 095
70	KBL-Co 070	96	KBL-Co 096
71	KBL-Co 071	97	KBL-Co 097
72	KBL-Co 072	98	KBL-Co 098
73	KBL-Co 073	99	KBL-Co 099
74	KBL-Co 074	100	KBL-Co 100
75	KBL-Co 075		
76	KBL-Co 076		
77	KBL-Co 077		
78	KBL-Co 078		
79	KBL-Co 079		
80	KBL-Co 080		
81	KBL-Co 081		
82	KBL-Co 082		
83	KBL-Co 083		
84	KBL-Co 084		
85	KBL-Co 085		
86	KBL-Co 086		

KBL-Co Ø 12-60 mm için Merkezleme Pimi

Sipariş No

ZAK 100

KBL-Co Ø 61-100 mm için Merkezleme Pimi

Sipariş No

ZAK 120