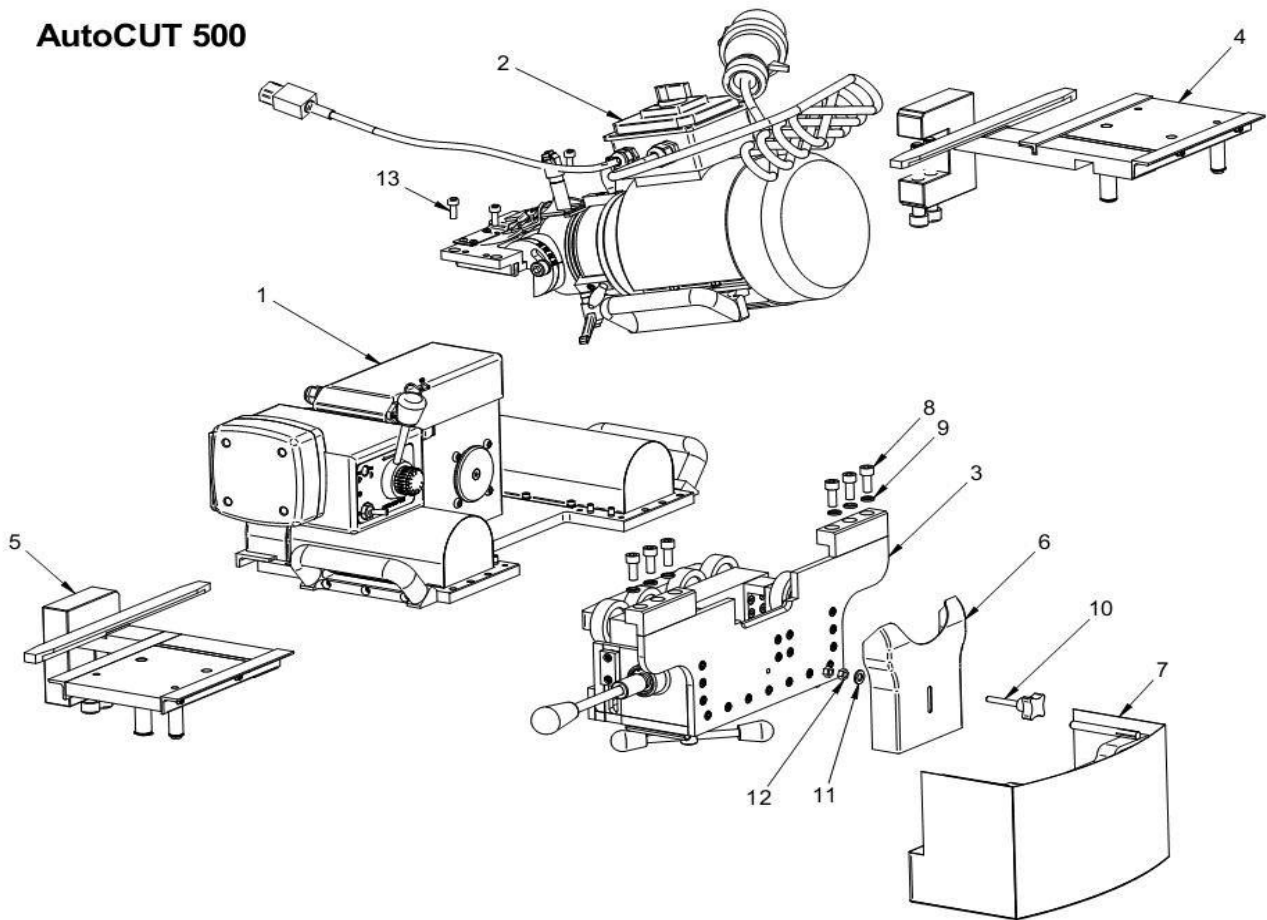


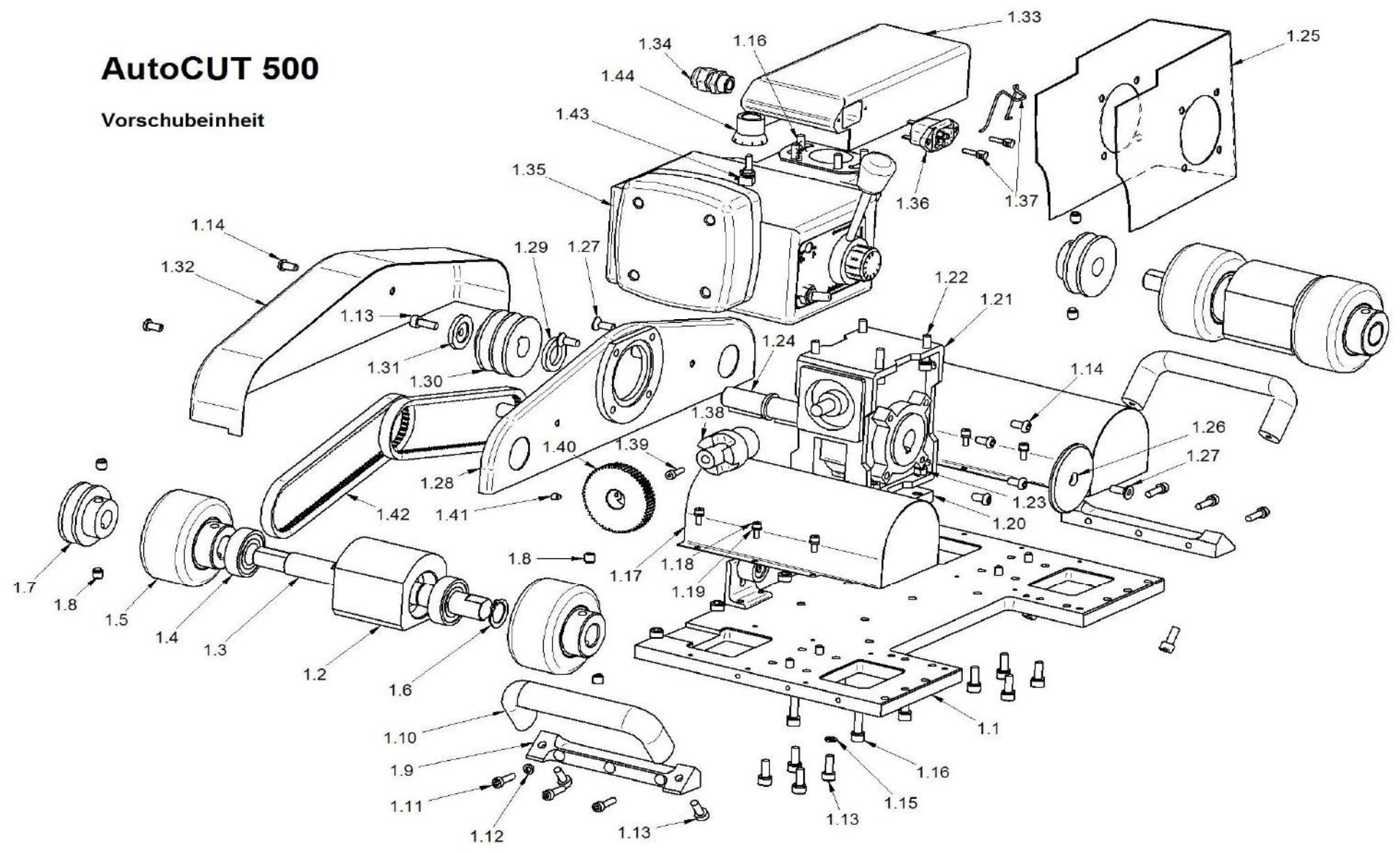
AutoCUT 500



Pos. No.	Article no.	Description	pc.
1	8020901	Feed unit complete - price on demand	1
2	8020911	Mill unit - price on demand	1
3	8020921	Steering mechnism complete - price on demand	1
4	8020861	Coasting rail complete	1
5	8020871	Intake rail complete	1
6	8020431	Plate for chip protection	1
7	8020851	Chip box black	1
8	6050091	Hexagon socket cylinder head screw M8x20 DIN 912	6
9	6010571	Spring washer 8,2 DIN 7980	6
10	8020311	Cross handle 32mm	1
11	8020951	Disc 6St DIN 1440	1
12	6020961	Nut M6-8 DIN 934	2
13	6010011	Hexagon socket cylinder head screw M6x16 DIN 912	4

AutoCUT 500

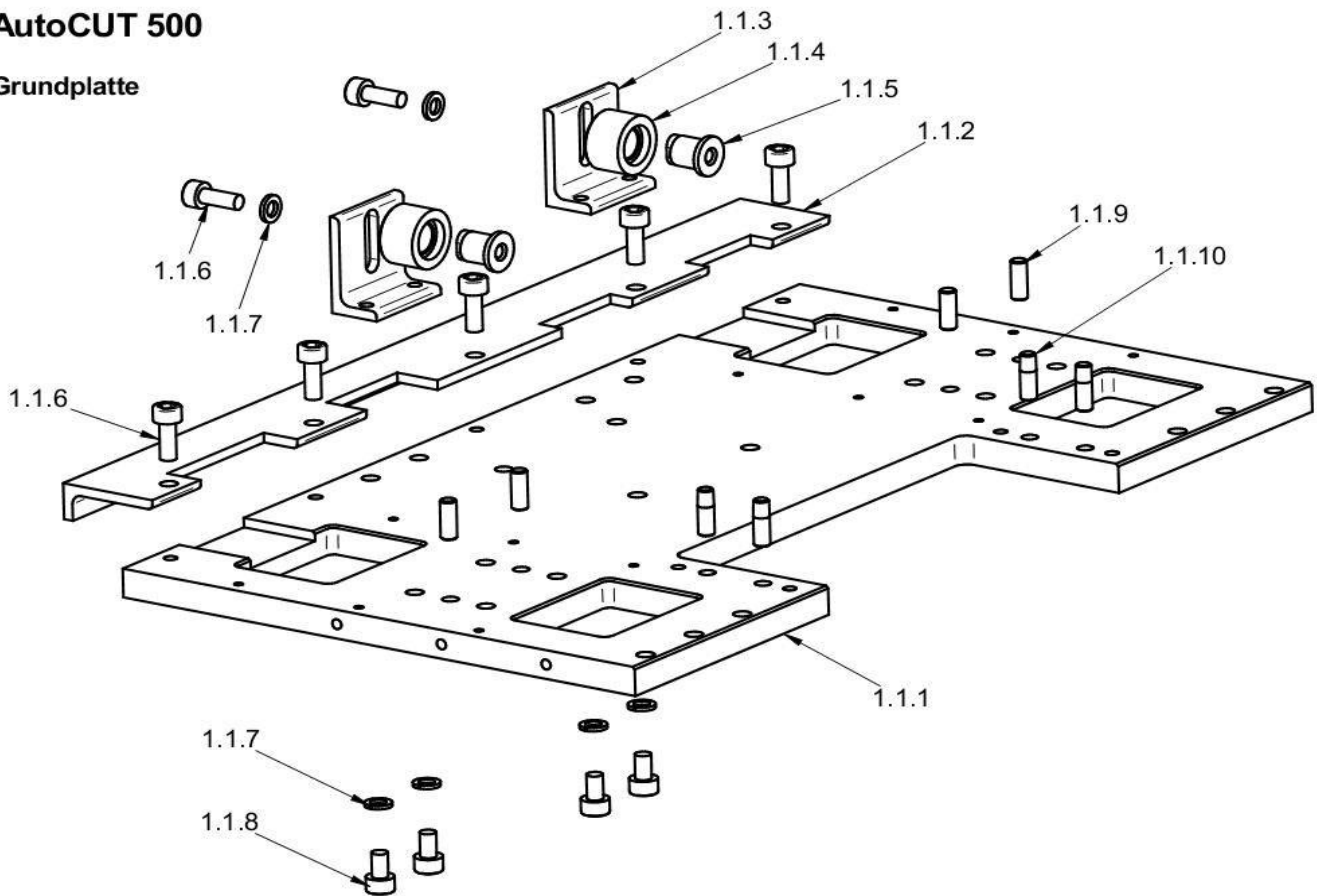
Vorschubeinheit



Pos. No.	Article no.	Description	pc.
1.1	8020782	Ground plate complete, mounted	1
1.2	8020711	Housing for bearing	2
1.3	8020651	Shaft	2
1.4	8020461	Ball bearing 6004 2ZR	4
1.5	8020101	Roll plywood plank	6
1.6	8020381	Circlip ring 20/1,5 DIN 471	2
1.7	8020231	Disc of fan belt, profile Z,1 groove	2
1.8	8020891	Hexagon socket set screw M8x10 DIN 913	12
1.9	8020721	Intermediate piece	2
1.10	8020961	Strap grip 128mm	1
1.11	6010841	Hexagon socket cylinder head screw M5x20 DIN 912	6
1.12	8020971	Spring ring 5 Fst DIN 7980	6
1.13	6010011	Hexagon socket cylinder head screw M6x16 DIN 912	13
1.14	8020981	Hexagon socket screw M6x12 DIN 7380	6
1.15	6010021	Spring washer 6,1 DIN 7980	13
1.16	6010461	Hexagon socket cylinder head screw M6x30 DIN 912	8
1.17	8020391	Plate for wheel guard	2
1.18	4000111	Hexagon socket cylinder head screw M4x10 DIN 912	12
1.19	6011301	Spring disc 4,1 DIN 7980	1
1.20	8030011	Intermediate plate	1
1.21	8020201	Worm gear	4
1.22	6010111	Hexagon socket cylinder head screw M6x25 DIN 912	4
1.23	6020961	Nut M6-8 DIN 934	1
1.24	8020211	Drive shaft onesided for worm gear	1
1.25	8020421	Guard plate for gear	1
1.26	8030031	Disc for feed unit	1
1.27	8030041	Hexagon socket countersunk screw M6x16 DIN 7991	5
1.28	8020401	Guard plate for fan belt 1	1
1.29	8030051	Disc 30x18x4 DIN 1440	1
1.30	8020241	Disc of fan belt, profile Z, 2 grooves	1
1.31	8030061	Disc 30x6,5x4	1
1.32	8020411	Guard plate for fan belt 2	1
1.33	8020701	Connecting plate	1
1.34	7010021	Gland PG9	1
1.35	8020191	Feed of milling table, horizontal version 230V - price on demand	1
1.36	8020281	Panel plug	1
1.37	8020271	Holding clamp including screws M3	1
1.38	8020551	Adaptor	1
1.39	6012681	Hexagon socket cylinder head screw M4x16 DIN 912	1
1.40	8030471	Pinion 59 teeth	1
1.41	8030081	Hexagon socket set screw with needle M5x8 DIN 914	1
1.42	8020221	Rubber fan belt	2
1.43	5011681	Potentiometer for power control 1 kOhm 7V	1
1.44	7014511	Adjustment wheel with scale for potentiometer	1

AutoCUT 500

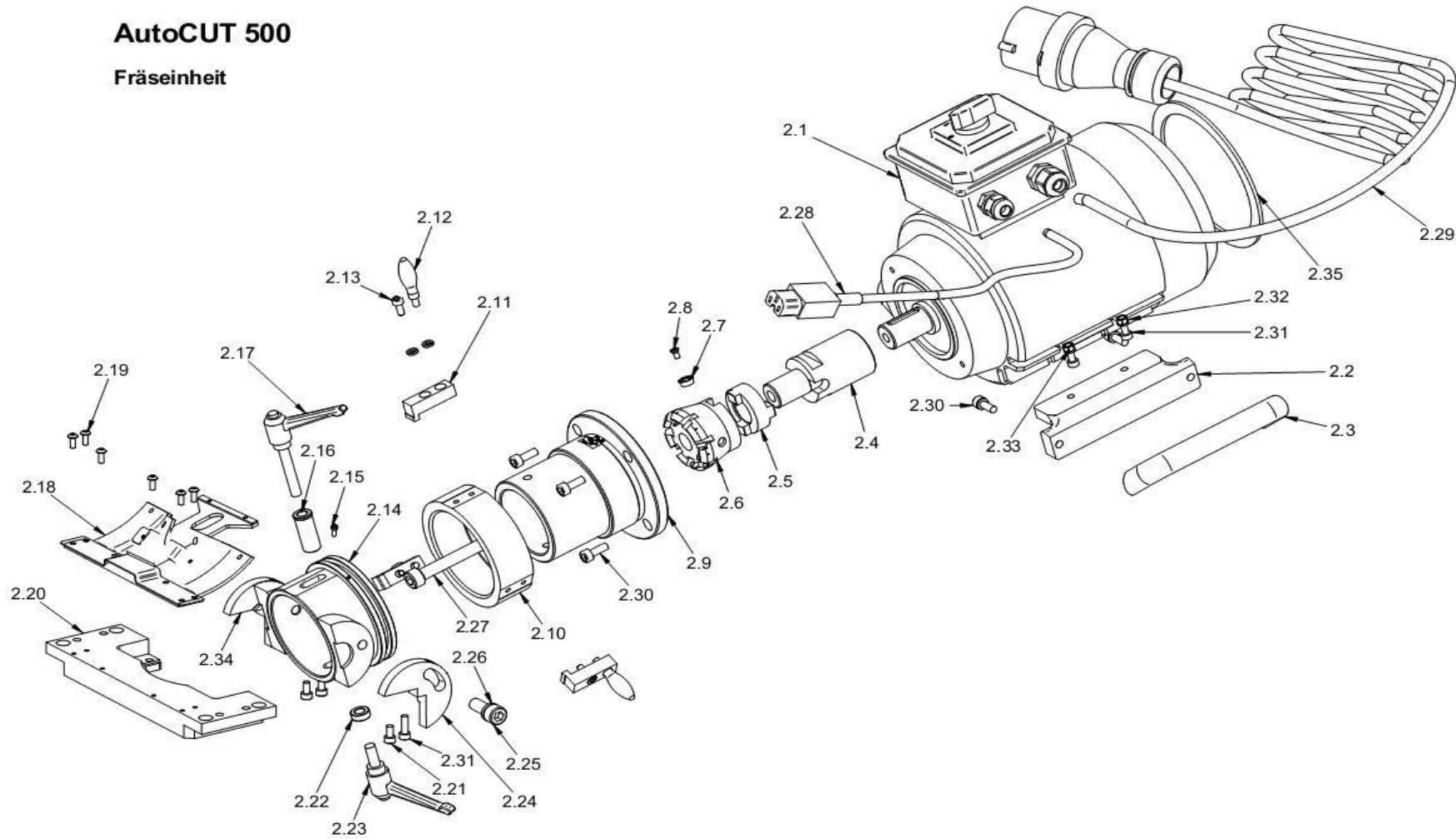
Grundplatte



Pos. No.	Article no.	Description	pc.
1.1.1	8020781	Ground plate	1
1.1.2	8030421	Guide rail	1
1.1.3	8030431	Angle	2
1.1.4	8030441	Roll Ø25x15mm	2
1.1.5	8020761	Bushing S-2131	2
1.1.6	6010011	Hexagon socket cylinder head screw M6x16 DIN 912	7
1.1.7	6010021	Spring washer 6,1 DIN 7980	6
1.1.8	6011561	Hexagon socket cylinder head screw M6x10 DIN 912	4
1.1.9	8030411	Cylinder pin, hardened 6m6x16 DIN 6325	4
1.1.10	8020371	Cylinder pin, hardened 6m6x20 DIN 6325	4

AutoCUT 500

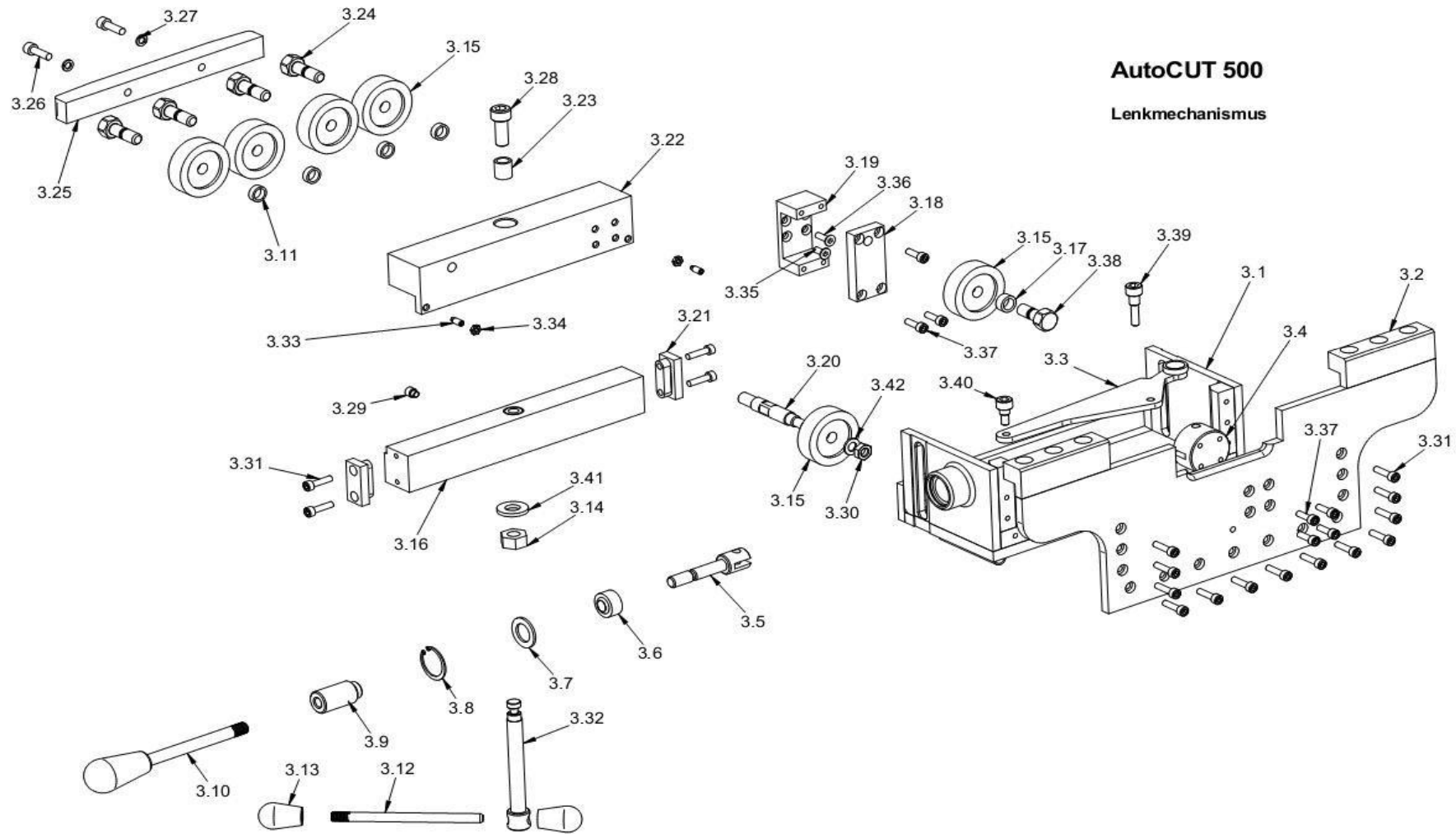
Fräseinheit



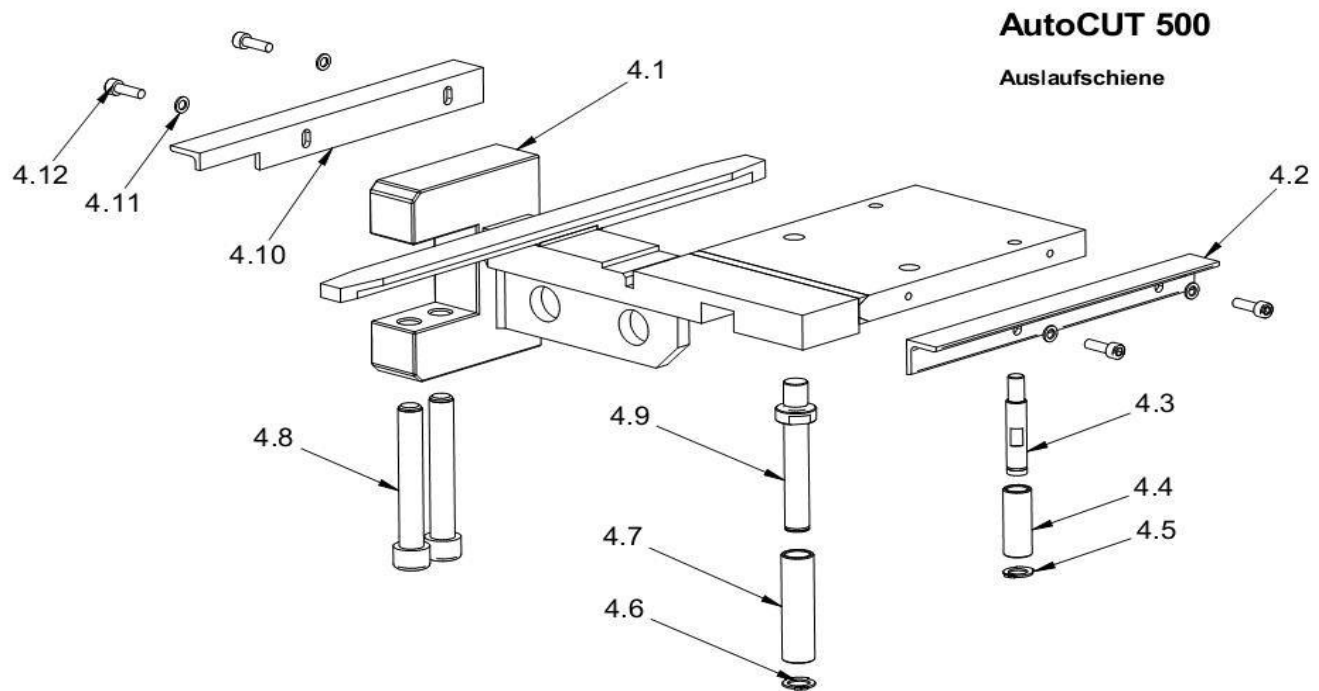
Pos. No.	Article no.	Description	pc.
2.1	8020291	Motor 230V	1
2.2	8020731	Intermediate piece	2
2.3	8020831	Crooked strap grip	2
2.4	8020581	Milling tool arbor	1
2.5	8020611	Driving collar 23	1
2.6	ZFR 500	Milling cutter	1
2.7	SHM 400	HM-High speed inserts	6
2.8	7012131	Clamping screw M4 SS4,0-1	6
2.9	8020601	Adaptor	1
2.10	8020531	Nut	1
2.11	8020471	Slide block	3
2.12	8020321	Solid ball knob	3
2.13	6011491	Hexagon socket cylinder head screw M5x12 DIN 912	5
2.14	8020521	Bracket for guide rail	1
2.15	8030101	Hexagon socket cylinder head screw M3x10 DIN 912	2
2.16	8030111	Intermediate piece for clamping lever 50	1
2.17	8020121	Adjustable clamping lever with screw	1
2.18	8030121	Chip protection	1
2.19	8030131	Hexagon socket screw M4x10 DIN 7380	6
2.20	8020511	Guide rail	1
2.21	6010841	Hexagon socket cylinder head screw M5x20 DIN 912	2
2.22	8030141	Intermediate piece for clamping lever 20	1
2.23	8020131	Adjustable clamping lever with screw	1
2.24	8020491	Rotating application 1	1
2.25	7011721	Hexagon socket cylinder head screw M10x25 DIN 912	2
2.26	8030151	Disc for bolt 10 St DIN 1440	2
2.27	8020331	Hexagon socket cylinder head screw M10x80 DIN 912	1
2.28	8020261	Cable box black	1
2.29	8030461	Connection cable 400V complete with plug	1
2.30	6010011	Hexagon socket cylinder head screw M6x16 DIN 912	4
2.31	6010821	Hexagon socket cylinder head screw M5x16 DIN 912	4
2.32	6010031	Nut M5 DIN 934	4
2.33	8020971	Spring ring 5 Fst DIN 7980	4
2.34	8020501	Rotating application 2	1
2.35	8030161	Circlip	1

AutoCUT 500

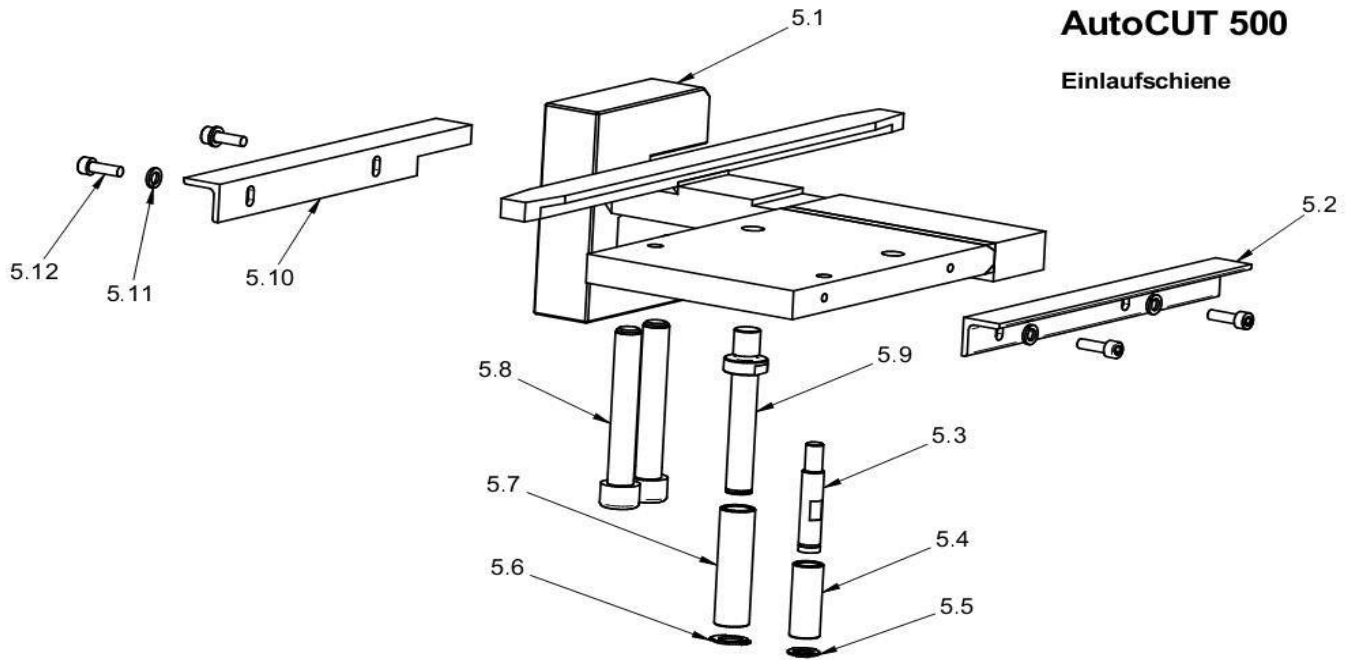
Lenkmechanismus



Pos. No.	Article no.	Description	pc.
3.1	8020771	Housing	1
3.2	8020641	Plate	1
3.3	8020561	Lever	1
3.4	8020481	Holder for lever	1
3.5	8020571	Drawer for lever	1
3.6	8020181	Joint bearing	1
3.7	8030171	Disc 27,5x17x2	1
3.8	5010271	Circlip ring 28/1,2 DIN 472	1
3.9	8030191	Intermediate shaft	1
3.10	6010242	Handle rod with knob	1
3.11	8030201	Disc 15x10x5	4
3.12	8020821	Handle bar	1
3.13	8020441	Control button black	1
3.14	8030211	Nut M12 DIN 934	1
3.15	8020111	Guide roll with bearing	6
3.16	8020671	Traverse	1
3.17	8030221	Disc 15x10x7	1
3.18	8020811	Plate	1
3.19	8020801	U profile	1
3.20	8020631	Shaft for roll	1
3.21	8020621	Guide block	2
3.22	8020681	Bracket for roll	1
3.23	8030231	Bushing 13,8x10x15,1	1
3.24	8030241	Adaptor screw M10x30 S-2156	4
3.25	8020691	Lever	1
3.26	6010091	Hexagon socket cylinder head screw M6x20 DIN 912	2
3.27	6010021	Spring washer 6,1 DIN 7980	2
3.28	7011721	Hexagon socket cylinder head screw M10x25 DIN 912	1
3.29	8020361	Hexagon socket set screw M8x20 DIN 915 with adaptor end	1
3.30	8030251	Nut M8 DIN 934	1
3.31	6010841	Hexagon socket cylinder head screw M5x20 DIN 912	17
3.32	8020541	Thread bar	1
3.33	8030261	Hexagon socket set screw M5x12 DIN 915 with adaptor end	2
3.34	6010031	Nut M5 DIN 934	2
3.35	8030271	Hexagon socket countersunk screw M5x12 DIN 7991	2
3.36	8030281	Hexagon socket countersunk screw M5x16 DIN 7991	2
3.37	6010821	Hexagon socket cylinder head screw M5x16 DIN 912	8
3.38	8030291	Adaptor screw M10x26 S-2155	1
3.39	8030301	Adaptor screw M8x30 S-2135	1
3.40	8030311	Adaptor screw M8x16 S-2136	1
3.41	8030321	Washer 12 St DIN 433	1
3.42	6010571	Spring washer 8,2 DIN 7980	1



Pos. No.	Article no.	Description	pc.
4.1	8020741	Exit back up	1
4.2	8030331	L profile 20x3	1
4.3	8030181	Stop pin Ø10mm - 56mm	1
4.4	8030341	Stop bushing S-2143	1
4.5	5010261	Circlip ring 10/1 DIN 471	1
4.6	5014421	Circlip ring 12/1 DIN 471	1
4.7	8030351	Switch bushing S-2141 DIN 2391	1
4.8	8020141	Clamping screw M12	2
4.9	8030361	Switch pin Ø20mm x 85mm	1
4.10	8030371	L profile 20x3	1
4.11	8020971	Spring ring 5 Fst DIN 7980	4
4.12	6010821	Hexagon socket cylinder head screw M5x16 DIN 912	4



Pos. No.	Article no.	Description	pc.
5.1	8020751	Inlet back up	1
5.2	8030381	L profile 20x3	1
5.3	8030181	Stop pin Ø10mm - 56mm	1
5.4	8030341	Stop bushing S-2143	1
5.5	5010261	Circlip ring 10/1 DIN 471	1
5.6	5014421	Circlip ring 12/1 DIN 471	1
5.7	8030351	Switch bushing S-2141 DIN 2391	1
5.8	8020141	Clamping screw M12	2
5.9	8030361	Switch pin Ø20mm x 85mm	1
5.10	8030391	L profile 20x3	1
5.11	8020971	Spring ring 5 Fst DIN 7980	4
5.12	6010821	Hexagon socket cylinder head screw M5x16 DIN 912	4